



US0D1013087S

(12) **United States Design Patent**
Jenkinson et al.

(10) **Patent No.: US D1,013,087 S**

(45) **Date of Patent: ** Jan. 30, 2024**

(54) **DUAL WEAPON SERVICING BLOCK**

(71) Applicant: **Present Arms, Inc.**, Wilbraham, MA
(US)

(72) Inventors: **Mark E. Jenkinson**, Wilbraham, MA
(US); **Frederick J. Holmes**, Plainville,
MA (US)

(73) Assignee: **Present Arms, Inc.**, Wilbraham, MA
(US)

(**) Term: **15 Years**

(21) Appl. No.: **29/783,810**

(22) Filed: **May 14, 2021**

(51) **LOC (14) Cl.** **22-01**

(52) **U.S. Cl.**

USPC **D22/108**

(58) **Field of Classification Search**

USPC D22/108, 199

CPC F41A 23/18; Y10T 29/49815; B23P 19/04

See application file for complete search history.

(56) **References Cited**

U.S. PATENT DOCUMENTS

10,345,066 B2 * 7/2019 Agnelli, Jr. F41C 3/00

10,495,402 B2 * 12/2019 Morris F41A 23/18

10,684,090 B2 * 6/2020 Agnelli, Jr. F41A 23/18
D935,548 S * 11/2021 Stump D22/108
2018/0087863 A1 * 3/2018 Sexton F41A 23/18
2019/0063863 A1 * 2/2019 Morris F41A 23/18

* cited by examiner

Primary Examiner — Michael A. Pratt

(74) *Attorney, Agent, or Firm* — Pete Tormey; A, T, & P
PC

(57) **CLAIM**

We claim the ornamental design for a dual weapon servicing block, as shown and described.

DESCRIPTION

FIG. 1 is a top perspective view of an embodiment of a dual weapon servicing block, showing the new design;

FIG. 2 is a back side view thereof;

FIG. 3 is a front side view thereof;

FIG. 4 is a left view thereof;

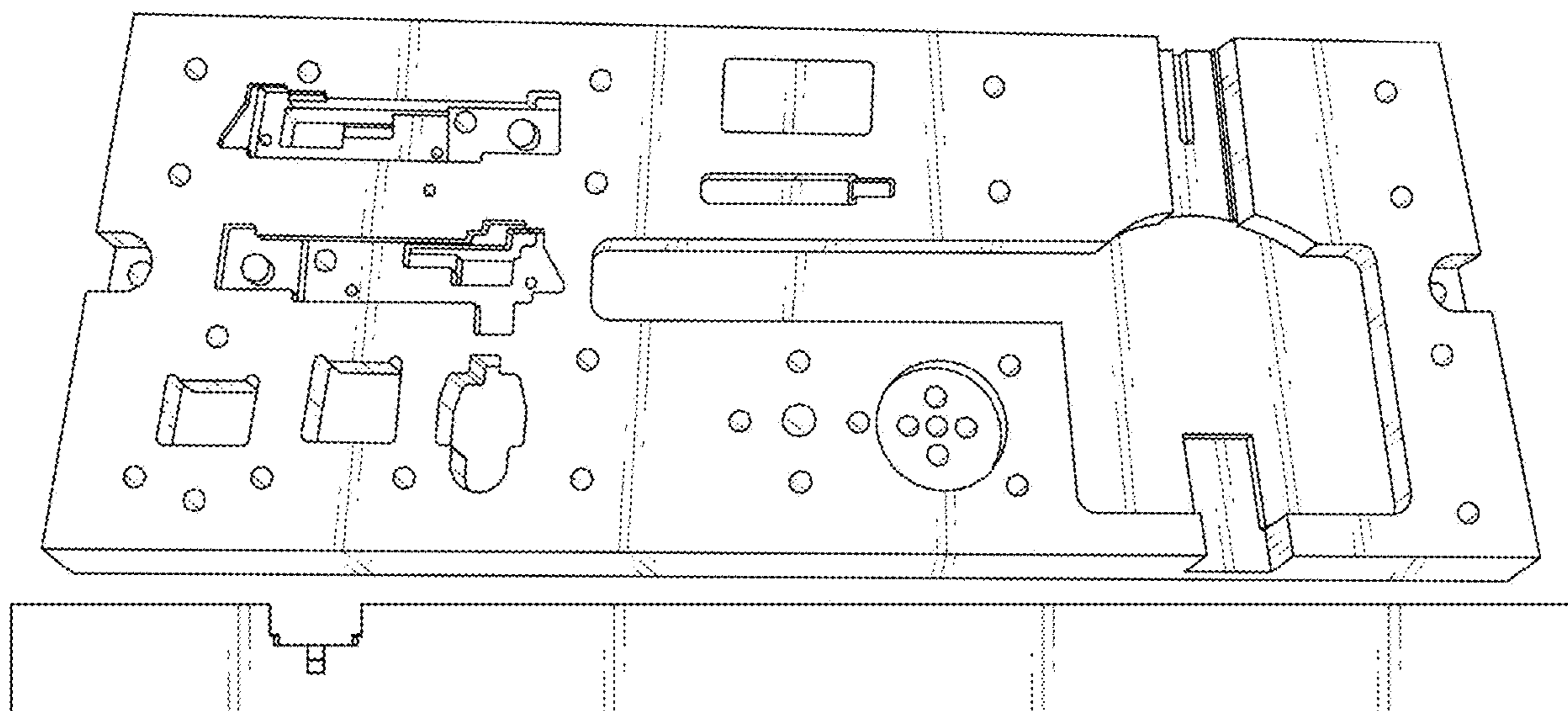
FIG. 5 is a right view thereof;

FIG. 6 is a top view thereof; and,

FIG. 7 is a bottom view thereof.

The broken line disclosure represents portions of the dual weapon servicing block which form no part of the claimed design.

1 Claim, 5 Drawing Sheets



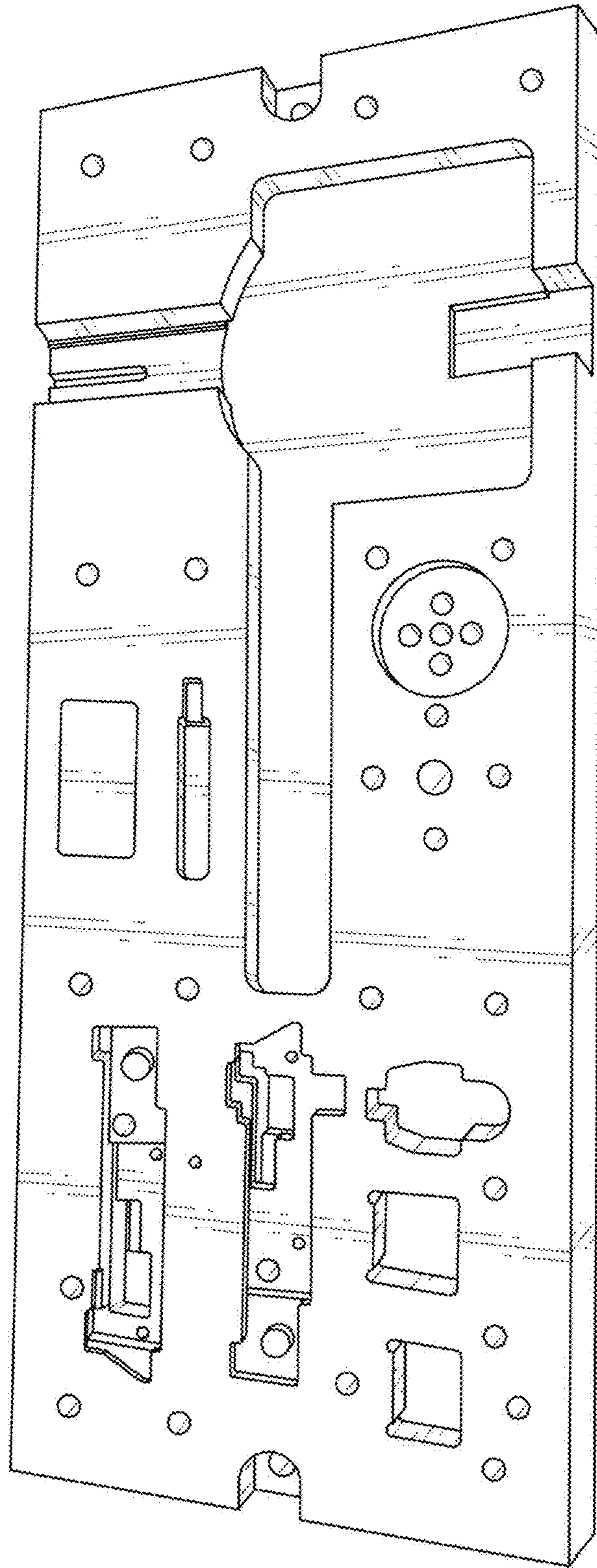


FIG. 1

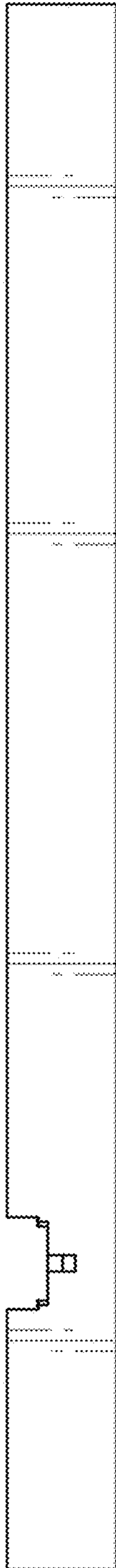


FIG. 2



FIG. 3

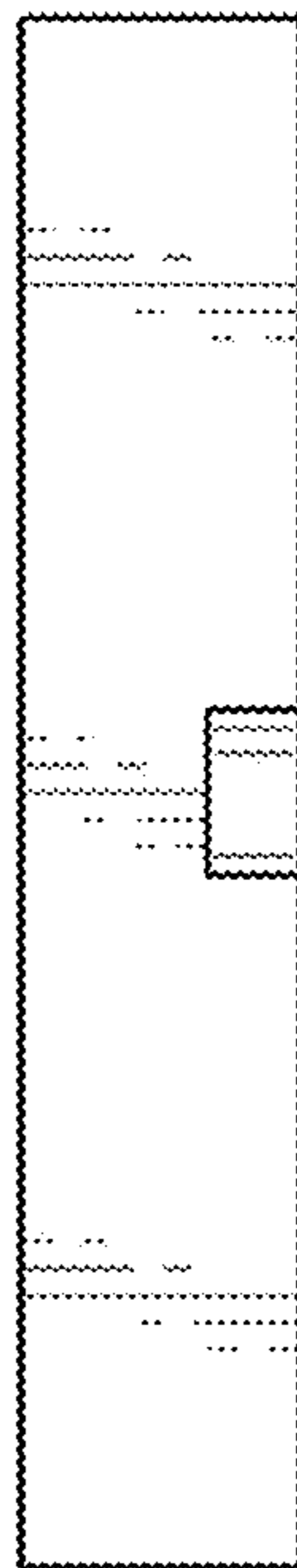


FIG. 4

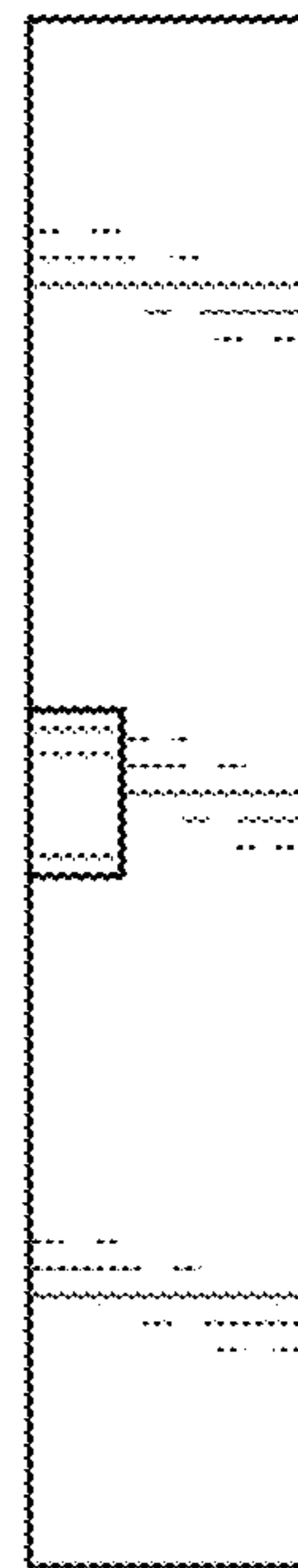


FIG. 5

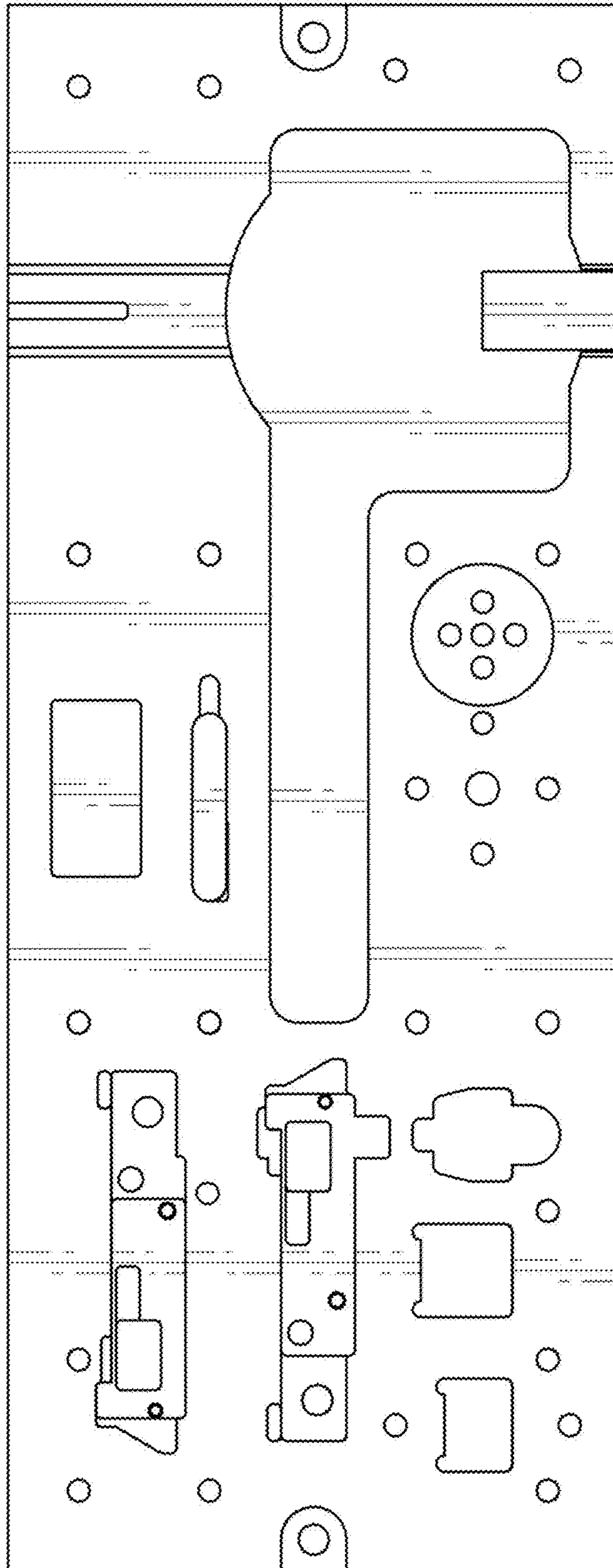


FIG. 6

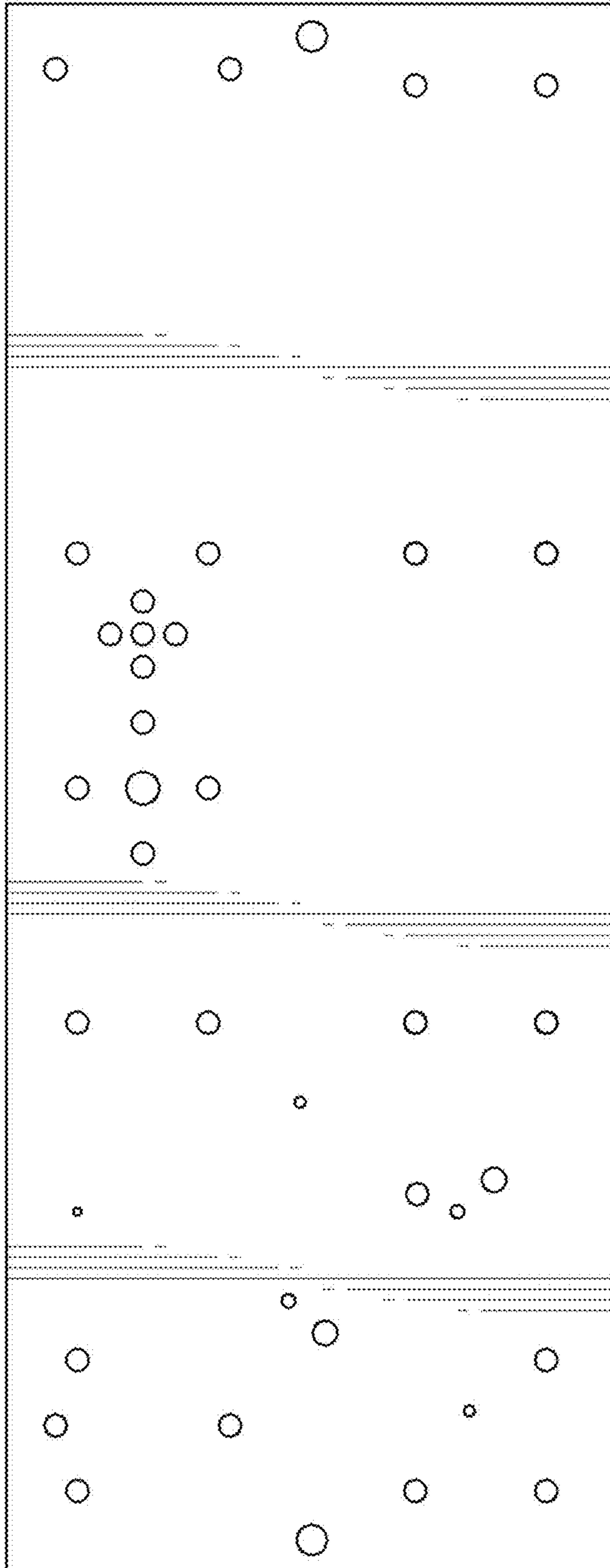


FIG. 7