



US0D1040280S

(12) **United States Design Patent** (10) **Patent No.:** **US D1,040,280 S**  
**Jenkinson et al.** (45) **Date of Patent:** **\*\* Aug. 27, 2024**

(54) **ANGLED V-BLOCK FIREARM SERVICING TOOL**

(71) Applicant: **Present Arms, Inc.**, Wilbraham, MA (US)  
(72) Inventors: **Mark E. Jenkinson**, Wilbraham, MA (US); **Frederick J. Holmes**, Wilbraham, CA (US)  
(73) Assignee: **Present Arms Inc.**, Wilbraham, MA (US)  
(\*\*) Term: **15 Years**

(21) Appl. No.: **29/781,815**  
(22) Filed: **Apr. 30, 2021**  
(51) **LOC (14) Cl.** ..... **22-01**  
(52) **U.S. Cl.**  
USPC ..... **D22/108**  
(58) **Field of Classification Search**  
USPC ..... D8/74; D22/108, 199  
CPC ..... F41A 23/18; Y10T 29/49815; B23P 19/04  
See application file for complete search history.

(56) **References Cited**

U.S. PATENT DOCUMENTS

D375,538 S *	11/1996	Minneman	.....	D22/199
D476,290 S *	6/2003	Gates	.....	A01K 97/10
				D12/408
D627,033 S *	11/2010	Hicks	.....	D22/199
D698,888 S *	2/2014	Hicks	.....	D22/199
D751,662 S *	3/2016	Holmes	.....	D22/108
D866,700 S *	11/2019	Skelton	.....	D22/108
D962,377 S *	8/2022	Summers	.....	D22/107
D965,737 S *	10/2022	Lai	.....	D22/199
D1,019,869 S *	3/2024	Rucci	.....	D22/108
2005/0115137 A1 *	6/2005	Minneman	.....	F41A 23/16
				42/94

OTHER PUBLICATIONS

Groz 03100 V Block, Amazon Online Product Page. Earliest Publication Date: Dec. 3, 2017. Date Accessed: Apr. 24, 2024. Retrieved from Internet URL: <https://www.amazon.com/Groz-3100-Block-Pack/dp/B079T51P6M/ref=> (Year: 2017).\*  
V Block Multi Use, Amazon Online Product Page. Earliest Publication Date: Apr. 1, 2018. Date Accessed: Apr. 24, 2024. Retrieved from Internet URL: <https://www.amazon.com/Steel-Makers-Engineering-Precision-Ground/dp/B07C7G1C2D> (Year: 2018).\*

\* cited by examiner

*Primary Examiner* — S. Bryan Reinholdt, Jr.  
*Assistant Examiner* — Kaitlan Walker  
(74) *Attorney, Agent, or Firm* — Pete Torney; A T & P PC

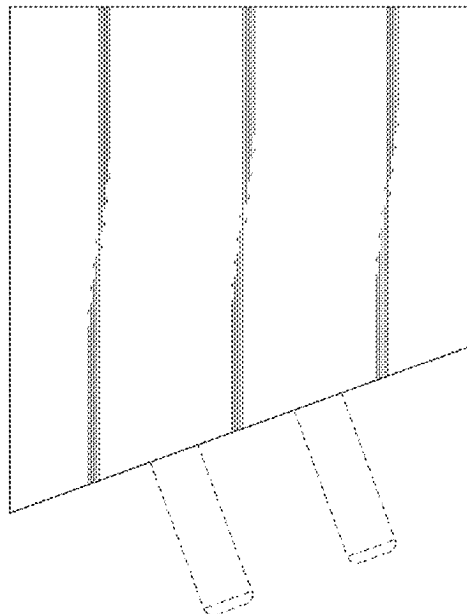
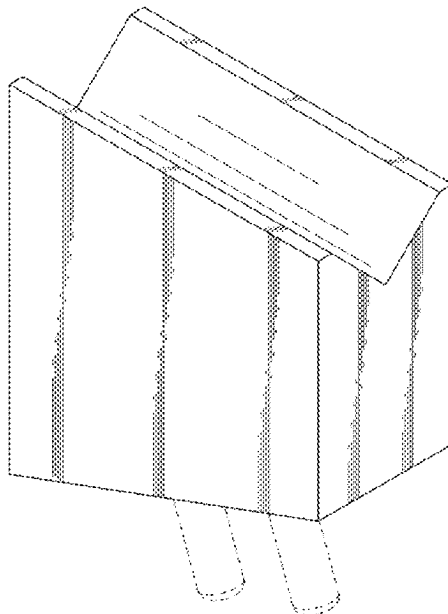
(57) **CLAIM**

We claim the ornamental design for an angled V-block firearm servicing tool, as shown and described.

**DESCRIPTION**

FIG. 1 is a top perspective view of an embodiment of an angled V-block firearm servicing tool, showing the new design;  
FIG. 2 is a right side view thereof;  
FIG. 3 is a left side view thereof;  
FIG. 4 is a front view thereof;  
FIG. 5 is a back view thereof;  
FIG. 6 is a top view thereof; and  
FIG. 7 is a bottom view thereof.  
The broken line disclosure represents portions of the angled V-block firearm servicing tool which form no part of the claimed design.

**1 Claim, 6 Drawing Sheets**



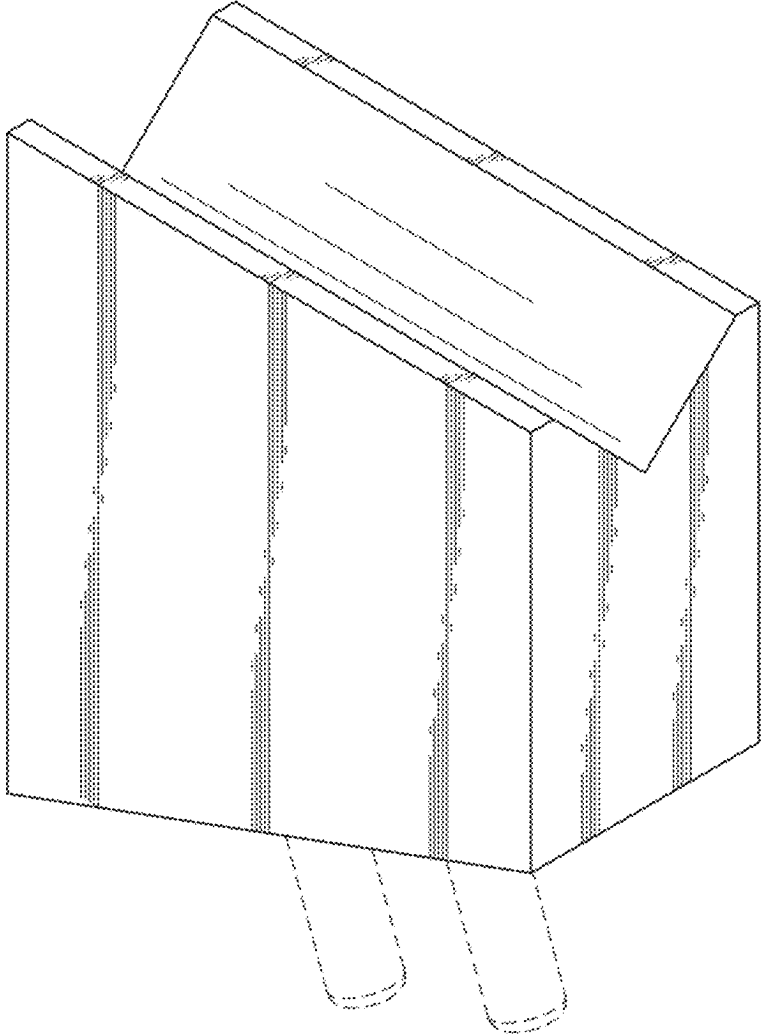


FIG. 1

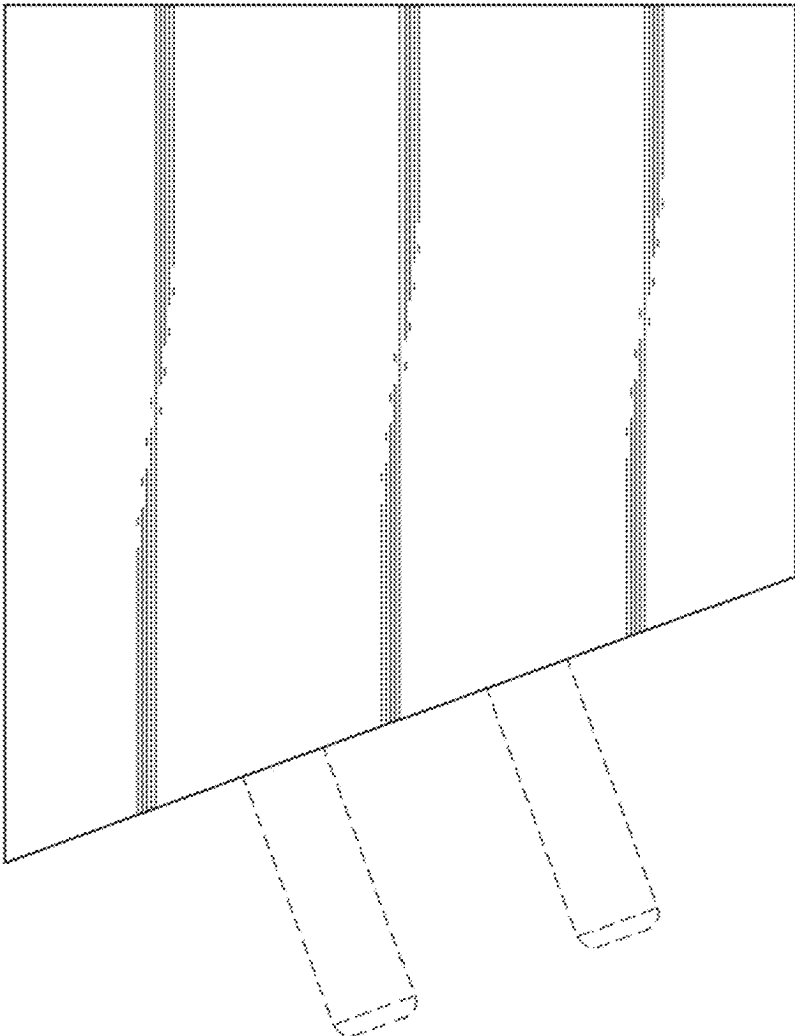


FIG. 2

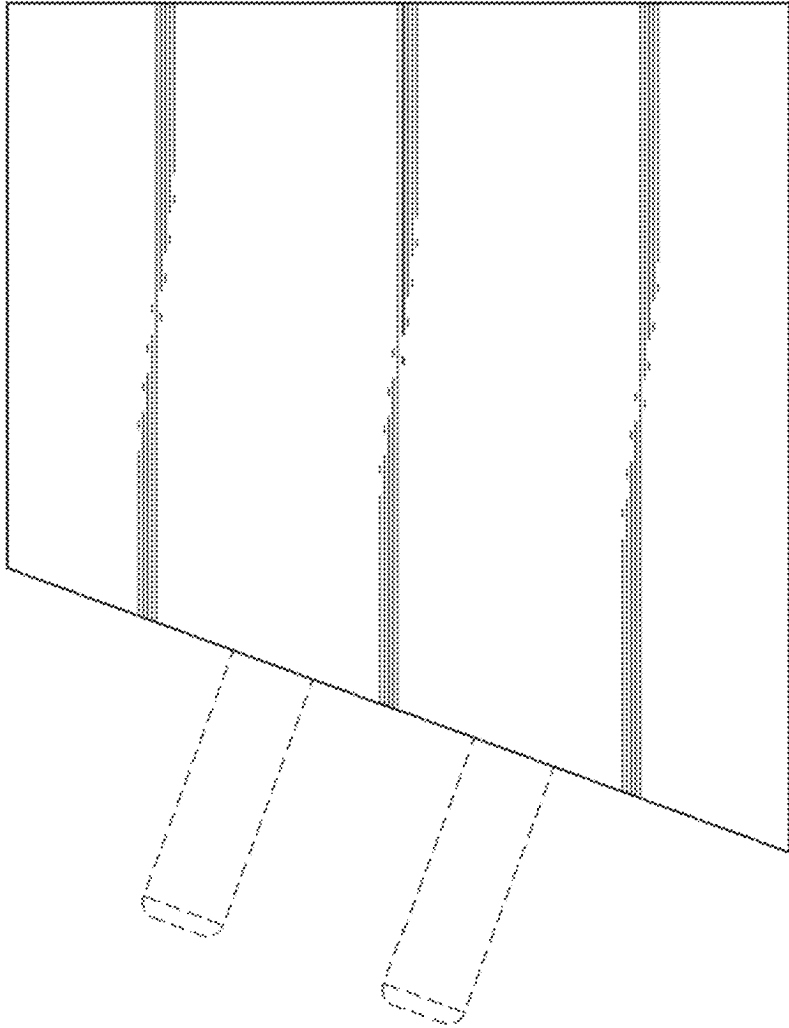


FIG. 3

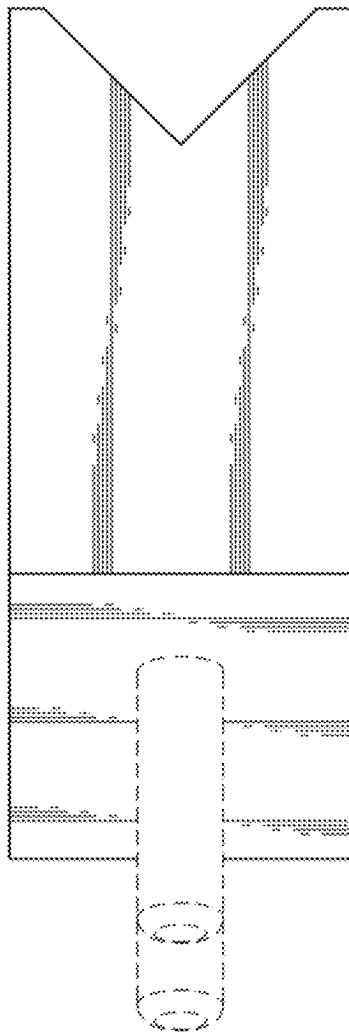


FIG. 4

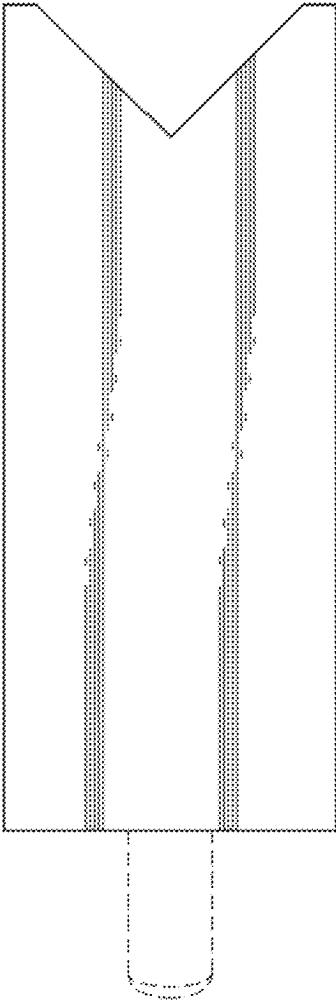


FIG. 5

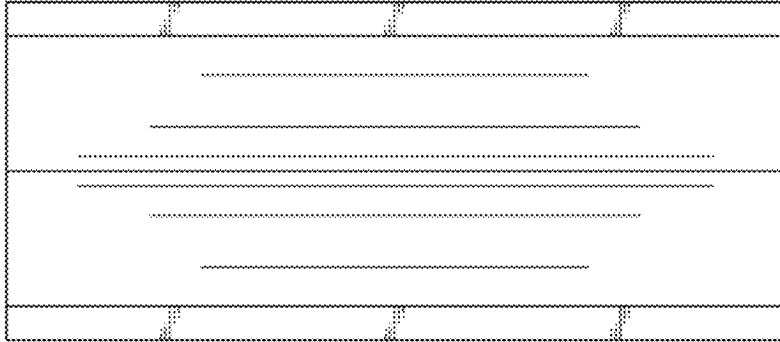


FIG. 6

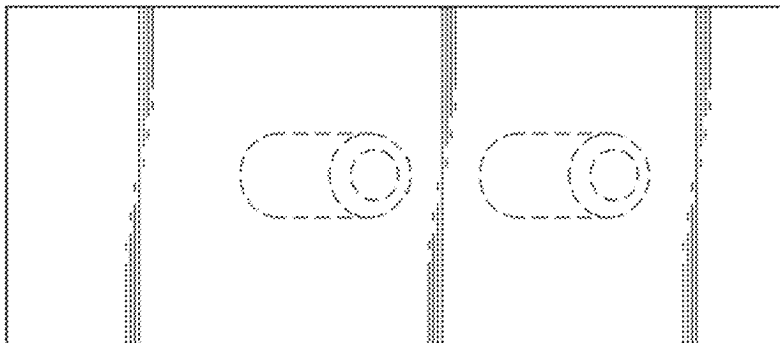


FIG. 7